

Reference Number: 025418/0119

Title of the Invention

DEVICE AND METHOD OF WASTE BOTTLE COLLECTION AND SEPARATION

Invention

The invention relates to a device and method that automatically removes the caps, rings and labels on PET (Polyethylene Terephthalate) bottles (5), separates the bottles into their components and makes them ready for recycling. The main purpose of the invention is to reduce the depletion of natural resources and environmental pollution problems by automatically separating all the components in the plastic PET bottle.

Advantages

Plastics contain substances such as crude oil, coal and gas. When they are thrown into the nature, they also harm the surrounding living things and the soil. In addition, since plastic wastes take many years to mix with nature under normal conditions, the recycling and importance of plastic waste is very important. It is obvious that the recycling of PET bottles, which have a large usage rate as a plastic product, will contribute to the balanced use of natural resources and the preservation of the ecological balance of the world.

Current Status

TURKEY: Registered

Keywords

Pet, Plastic, household waste, recycling,

TRL: 2

Contact:

Yeditepe Üniversitesi Teknoloji Transfer Ofisi (YUTTO)

İnönü Mah. Kayışdağı Cad. 326A 26 Ağustos Yerleşimi Rektörlük Binası Kat:2 Teknoloji Transfer Ofisi 34755 Ataşehir – İSTANBUL

Tel: +90 216 578 00 00 (3980)

e-mail: tto@yeditepe.edu.tr

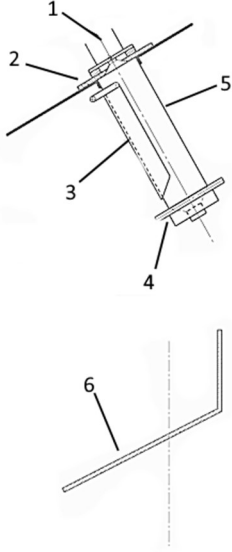


Figure 1

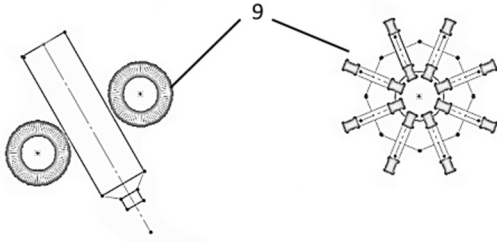


Figure 2

Contact:

Yeditepe Üniversitesi Teknoloji Transfer Ofisi (YUTTO)

İnönü Mah. Kayışdağı Cad. 326A 26 Ağustos Yerleşimi Rektörlük Binası Kat:2 Teknoloji Transfer

Ofisi 34755 Ataşehir – İSTANBUL

Tel: +90 216 578 00 00 (3980)

e-mail: tto@yeditepe.edu.tr

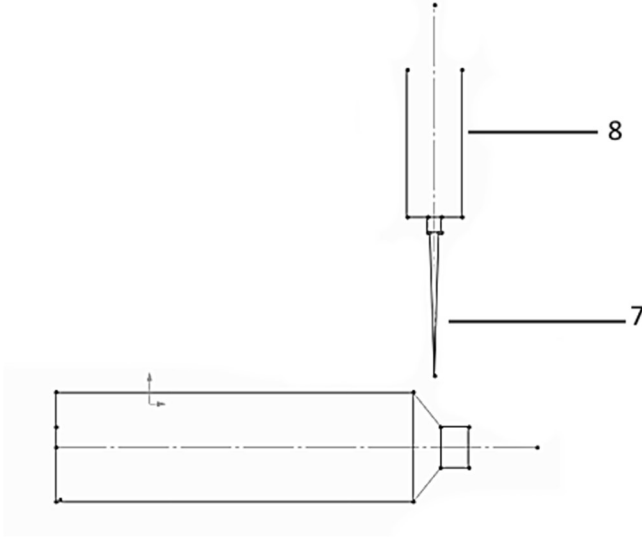


Figure 3

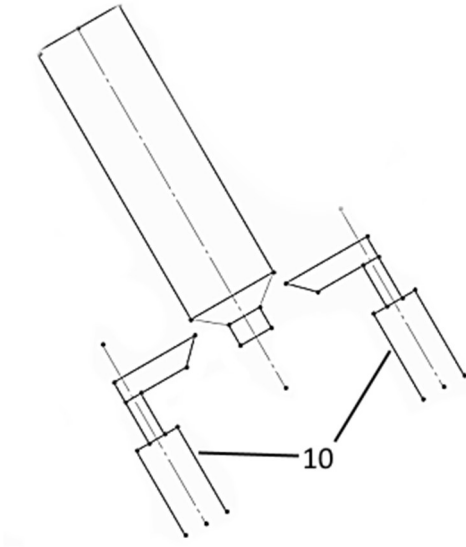


Figure 4

Contact:

Yeditepe Üniversitesi Teknoloji Transfer Ofisi (YUTTO)

İnönü Mah. Kayışdağı Cad. 326A 26 Ağustos Yerleşimi Rektörlük Binası Kat:2 Teknoloji Transfer

Ofisi 34755 Ataşehir – İSTANBUL

Tel: +90 216 578 00 00 (3980)

e-mail: tto@yeditepe.edu.tr

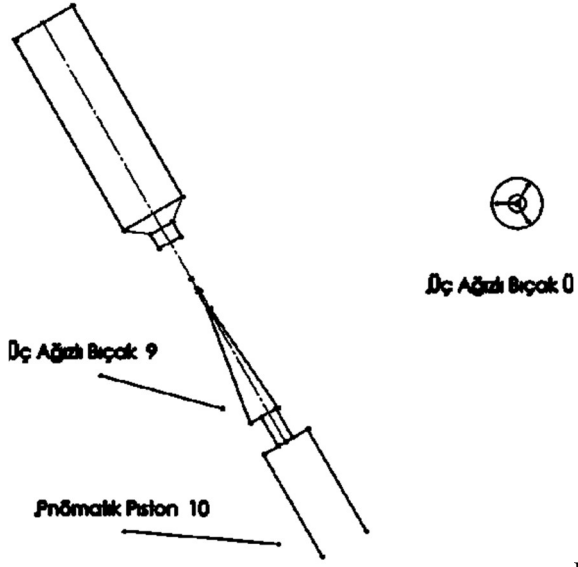


Figure 5

Contact:

Yeditepe Üniversitesi Teknoloji Transfer Ofisi (YUTTO)

İnönü Mah. Kayışdağı Cad. 326A 26 Ağustos Yerleşimi Rektörlük Binası Kat:2 Teknoloji Transfer

Ofisi 34755 Ataşehir – İSTANBUL

Tel: +90 216 578 00 00 (3980)

e-mail: tto@yeditepe.edu.tr