

Reference Number: 025418/0025

Title of the Invention

A SPINAL SURGERY TABLE

Invention

By the help of this invention, a spinal surgery table is realized by leaving the abdominal region in the space and reducing the complications due to pressure, and it is designed to be connected to any operating table. It can stretch to adapt to different body sizes, allows the application of operations, and contains pads that adapt to the patient's position by moving in 3 different axes. This innovative spinal surgery table can be attached to other apparatus (arm support, head support, etc.) in order to change the position of the patient.

Advantages

The adjustment arm works in coordination with the gear, provides the up-down movement of the carrier skeleton by rotating it, and allows the patient to be operated by keeping the upper part of the patient (above the waist) at an angle to each other compared to the lower part (under the waist). The spherical skeleton connector allows one end of the carrier frame to be raised and lowered thanks to its articulating structure, thus allowing the patient to be operated at different angles. Thanks to its connection adapters, it can be connected with all other operating tables on the market, and it can be adapted according to the patient's body length.

Current Status

TURKEY: Registered

ABD: Registered

Keywords

Electromedical, medical devices, surgical table

TRL: 3

Contact:

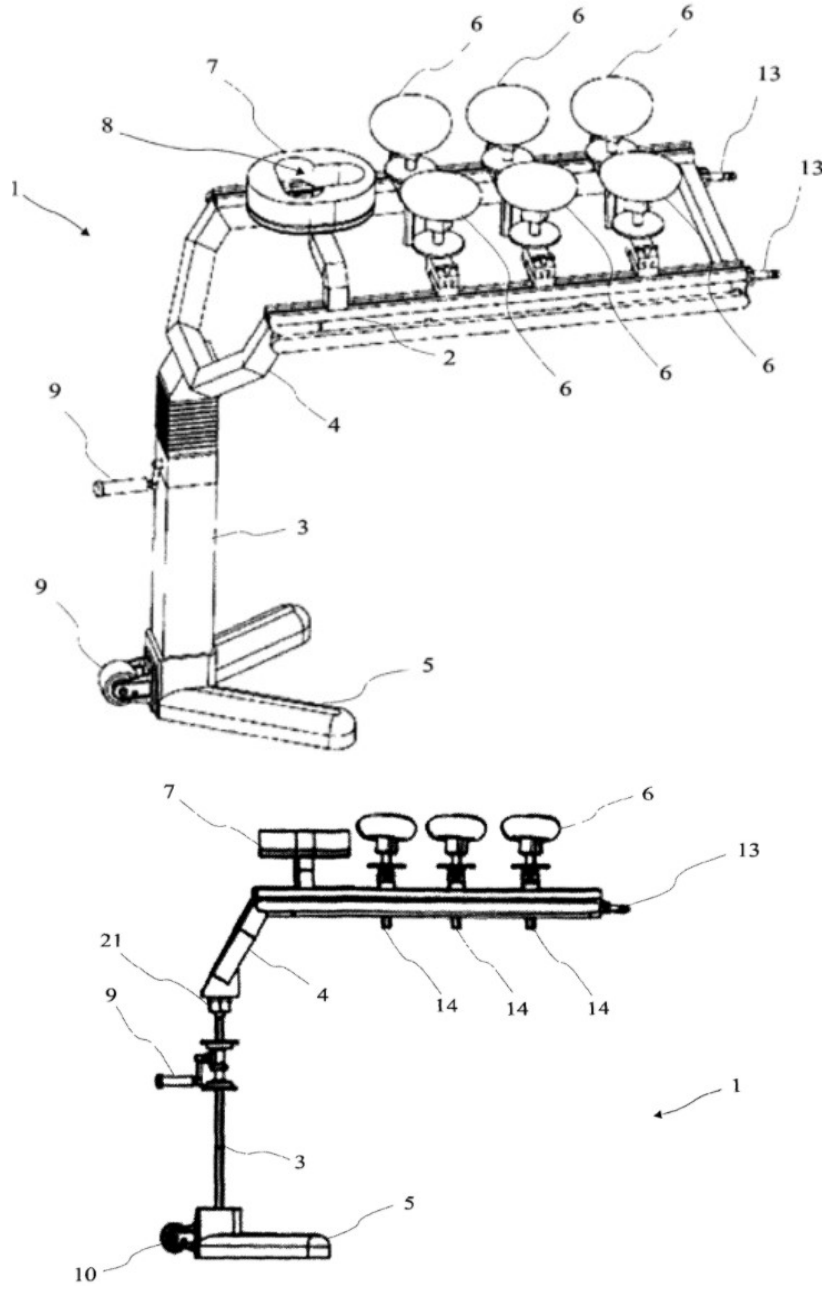
Yeditepe Üniversitesi Teknoloji Transfer Ofisi (YUTTO)

İnönü Mah. Kayışdağı Cad. 326A 26 Ağustos Yerleşimi Rektörlük Binası Kat:2

Teknoloji Transfer Ofisi 34755 Ataşehir – İSTANBUL

Tel: +90 216 578 00 00 (3980)

e-mail: tto@yeditepe.edu.tr



Contact:

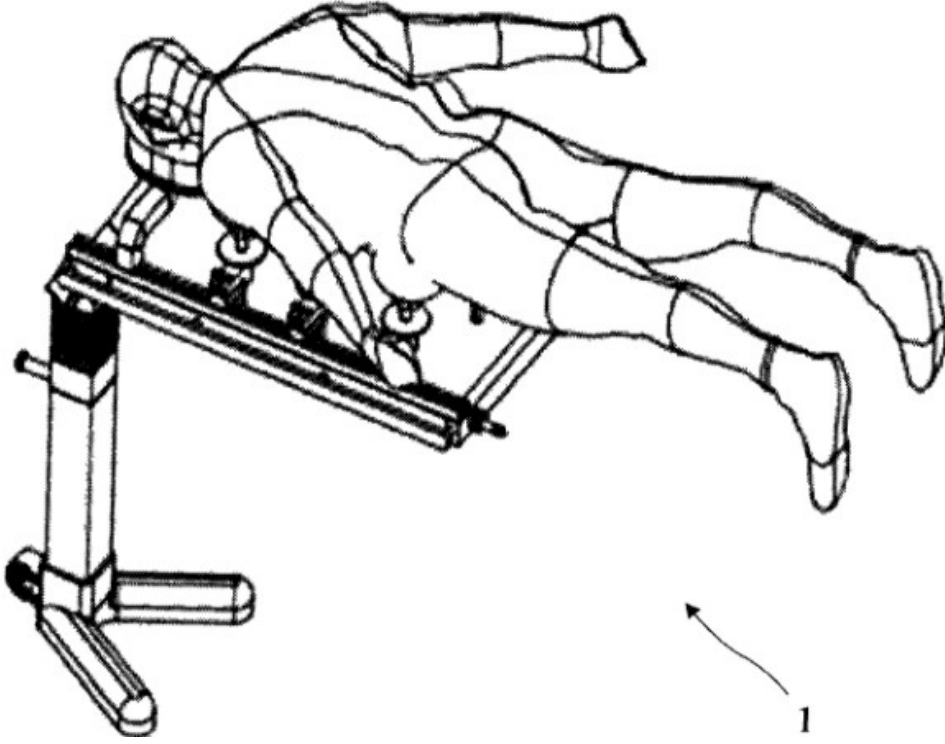
Yeditepe Üniversitesi Teknoloji Transfer Ofisi (YUTTO)

İnönü Mah. Kayışdağı Cad. 326A 26 Ağustos Yerleşimi Rektörlük Binası Kat:2

Teknoloji Transfer Ofisi 34755 Ataşehir – İSTANBUL

Tel: +90 216 578 00 00 (3980)

e-mail: tto@yeditepe.edu.tr



Contact:

Yeditepe Üniversitesi Teknoloji Transfer Ofisi (YUTTO)

İnönü Mah. Kayışdağı Cad. 326A 26 Ağustos Yerleşimi Rektörlük Binası Kat:2

Teknoloji Transfer Ofisi 34755 Ataşehir – İSTANBUL

Tel: +90 216 578 00 00 (3980)

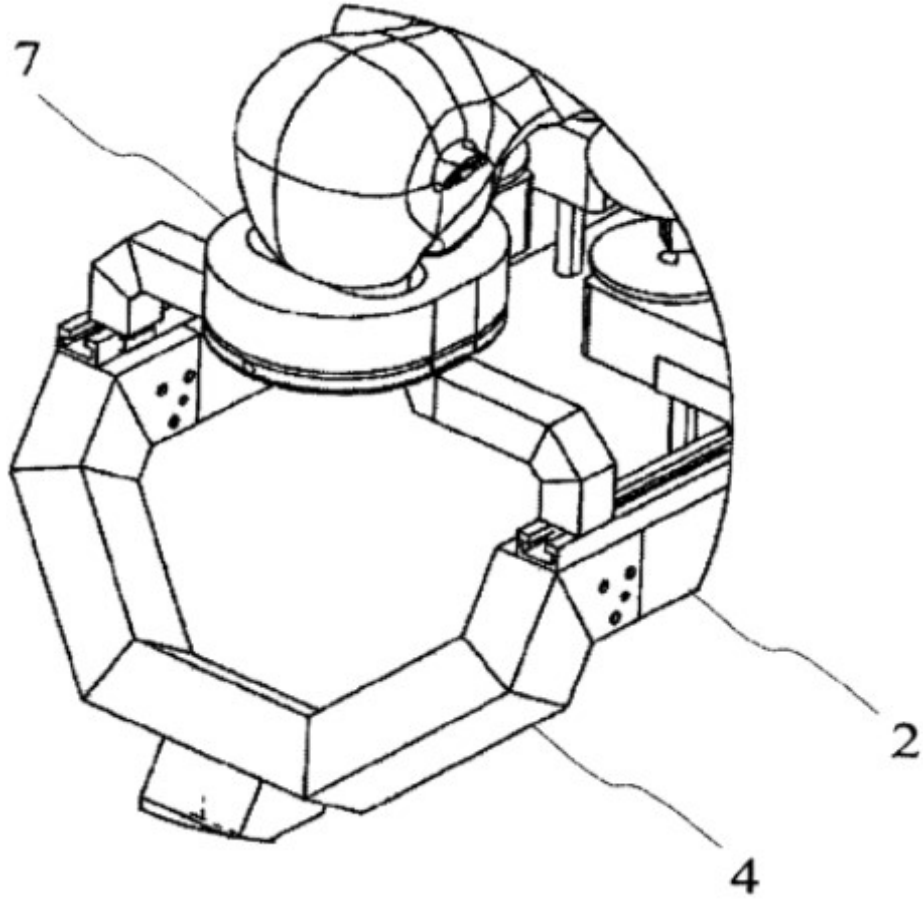
e-mail: tto@yeditepe.edu.tr



YEDİTEPE ÜNİVERSİTESİ



YUTTO
YEDİTEPE ÜNİVERSİTESİ
TEKNOLOJİ TRANSFER OFİSİ



Contact:

Yeditepe Üniversitesi Teknoloji Transfer Ofisi (YUTTO)

İnönü Mah. Kayışdağı Cad. 326A 26 Ağustos Yerleşimi Rektörlük Binası Kat:2

Teknoloji Transfer Ofisi 34755 Ataşehir – İSTANBUL

Tel: +90 216 578 00 00 (3980)

e-mail: tto@yeditepe.edu.tr